



ALFA HBLED 1M DIANA 30

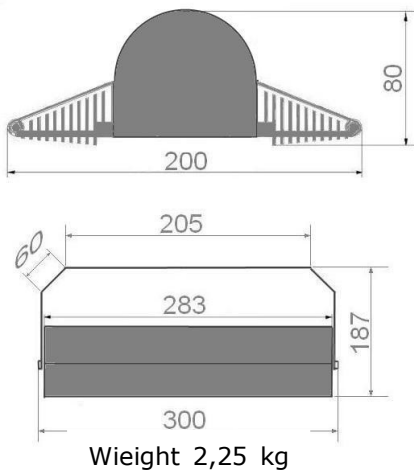
Professional LED 30 lamps equipped with individually programmable module controlling the electricity usage, with the latest HBLED technology used as a light source.

The luminaire may optionally be equipped with an individual motion sensor.



APPLICATION

- Roads, streets
- Alleys, pavements
- Bicycle paths
- Parking places
- Industrial zones
- Residential areas



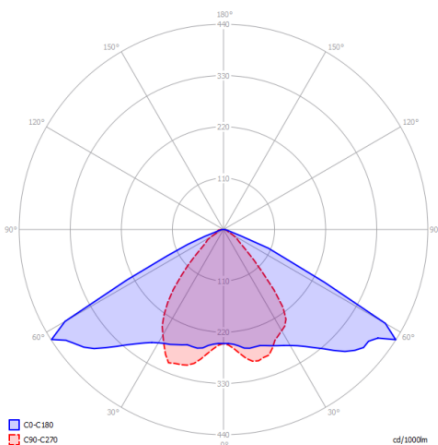
MOUNTING SYSTEM

- Can be mounted to the facade or column equipped with a suitable mounting crown.
- Adjustable joint allows smooth change of the inclination angle with relative to the illuminated surface.

STREAM LIGHT

Power strength	The Luminous Power
30 [W]	3.360[lm]

Due to technical progress may be varied





ALFA Hbled 1M DIANA 30

TECHNICAL DATA

Voltage power	230/[V] AC
Power consumption	30[W]
Light source	28 x Hbled
Frequency power	50/60 [Hz]
Level of protection	IP 66
IK Shock-Protection Rate	IK 09
WFactor distortions THD	<15 [%]
Power factor cos α	>0,95
Time ignition	<1 [s]
Range work	-40 [°C] do +55 [°C]
Guarantee	5 year
Costruction	Modular
Binding	Aluminium
Optical system	Polycarbonate
Temperature colour	Neutral - 3.650 [K] - 4.300 [K] Cold: 5.300 [K] - 6.700 [K]
motion sensor	YES - optional



Coloring - standard

Black - RAL 9005
Grey - RAL 9006

Coloring - other version

the individual needs of
versions available as
RAL palette



PRODUCER OF ILLUMINATION

ALFA Hbled

Poland, 62-800 Kalisz

ul. Kolejowa 15

biuro@hbled.pl www.hbled.pl